



### Pneumatic push-type

Pneumatic push-type combination tools, including the PNSC and PRH-Series models, are used with push-type seals on irregular-shaped packages. Air power tensions, seals and cuts the strapping.



Model	Part Number	Strap Size				Strap Type	Seal Name	Joint Type	Weight	
		Width		Thickness					lbs	kg
		inch	mm	inch	mm					
<b>Pneumatic push-type</b>										
PNSC 2-12	422495	1/2	12.7	0.017-0.023	0.43-0.58	Apex Plus, Magnus	12 SPC	Single	9.5	4.3
PNSC 2-58	422496	5/8	15.9	0.017-0.023	0.43-0.58		58 SPC			
PNSC 2-34	422497	3/4	19.0	0.017-0.025	0.43-0.64		34 PNSC	Notch		
PNSC 2-34HT	422881	3/4	19.0	0.017-0.025	0.43-0.64		34 PNSC			
PRHM-34	306700	3/4	19.0	0.025-0.031	0.64-0.79	Magnus	34 HOC	Double	16	7.3
PRHR-34	424234	3/4	19.0	0.025-0.031	0.64-0.79	Magnus	34 HOC	Reverse	34	15.4
PRHR-114	423570	1-1/4	31.8	0.025-0.035	0.64-0.89		114 P	Notch	34	15.4



### Pneumatic accessories



**Note:** Use lightweight, non-detergent oil in lubricator, such as Non-Fluid Oil No. LS-1236 (Part No. 008556) or equivalent.

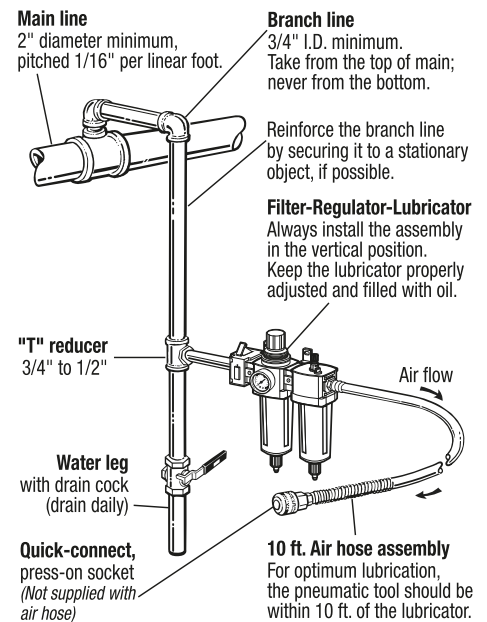
A filter-regulator-lubricator (FRL) assembly (Part No. 429141, with hose) or (Part No. 429130, without hose) is needed with all pneumatic tools. Additional fittings and air hoses are available from Signode, such as those shown at right, to help provide optimum operation. Please contact your local Signode sales representative for more information on the proper fittings for your specific tool.

Check the air pressure at the tool with a separate air gauge to verify proper air pressure.



- Low flow air gauge. (Part No. 425238)
- High flow air gauge. (Part No. 429127)
- Quick-connect socket for low flow air supply. (Part No. 429134)
- Quick-connect plug for low flow air supply. (Part No. 020704)
- Quick-connect socket for high flow air supply. (Part No. 015294)
- Quick-connect plug for high flow air supply. (Part No. 015293)

### Recommended Air Line Piping



- Swivel connector for 10' air hose for low flow air supply. (Part No. 426903)
- Filter bushing (Part No. 024631) Screened bushing reduces airborne particles from entering the tool.