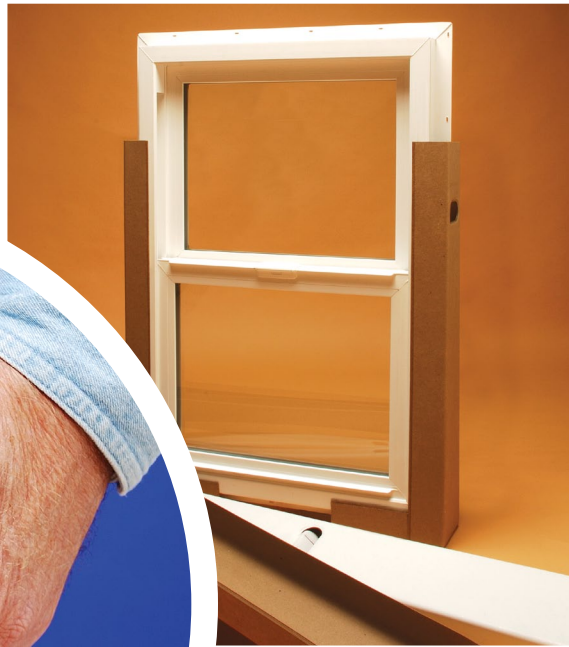


Handle U-Board™

The simple, low cost
solution to product
protection

ITW Reddi-Pac

Handle U-Board™



Handle U-Board™ laminated paperboard packaging provides superior edge protection to prevent product damage that can occur during shipping and handling. Its built-in handles create an effective way to move products from one location to another. Its preformed, mitered construction protects corners and eliminates any additional assembly time, creating a durable, more efficient way to protect your products.

Handle U-Board has a smooth surface and interior that is non-abrasive, making it ideal for a variety of applications. Handle U-Board can be treated with a variety of protective coatings that offer moisture resistance and corrosion protection. Color printing is also available for product identification and point-of-sale merchandising.

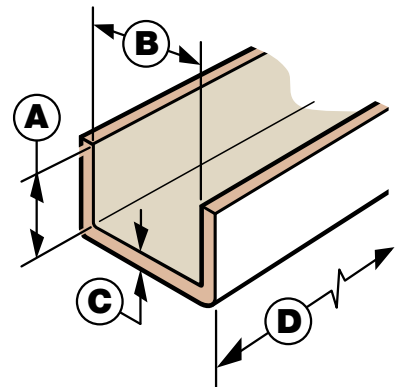


Durable • Easy to use • Convenient

Specifications

Handle U-Board sizes are based on the following dimensions:

- (A) Leg height -**
Available from 1-8 inches (25-203 mm)
- (B) Base width -**
Available from 3-12 inches (75-305 mm)
- (C) Caliper -**
Available from .120-.500 inches (3-13 mm)
- (D) Length -**
Available up to 30 feet (9 m)



ITW Reddi-Pac

Product Protection Simplified

Phone: 1-800-355-1135

www.itwreddipac.com

100% Recyclable

ITW Reddi-Pac products are made from 100% recycled materials and are 100% recyclable.