

# **SIGNODE** **HBX-4330™** **LARGE** **FRAME**

*Automatic plastic strapping machine*



- **Unmatched simplicity**  
*Easy to operate and maintain*
- **Jam-resistant technology**
- **Bi-directional coil loading**
- **Strap alignment laser option**

Model is shown with optional features.

**Up to 50 straps per minute!**

**SIGNODE®**

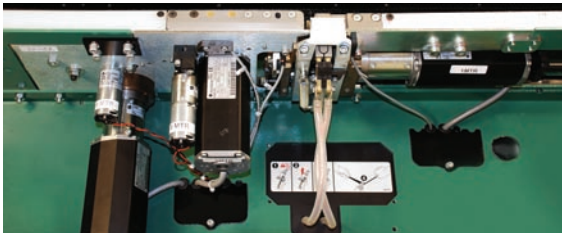
# SIGNODE HBX-4330™ LARGE FRAME

## Automatic plastic strapping machine

The HBX-4330 Large Frame automatic strapping machine, ideal for oversized products, simplifies operation and maintenance to save you time and money.

### Unmatched simplicity

The HBX-4330's simple yet durable design eliminates the use of drive belts and clutches. This combined with other trouble-free maintenance elements like toolless hot knife removal and jam-resistant technology make it easier to operate and more cost effective to maintain than other strapping machines.



### Bi-directional coil loading

Strap coil pays off from either direction, eliminating the downtime and material waste resulting from incorrect coil loading.

### Out-of-strap feature

The out-of-strap feature ejects the strap at the end of the coil to eliminate downtime and errors associated with removing the excess strap left in the machine.

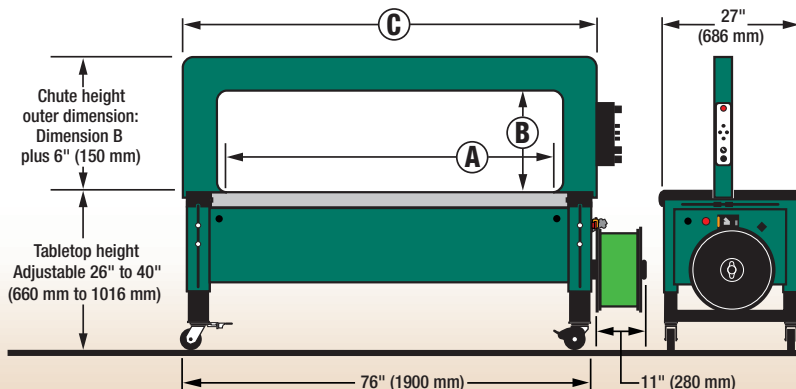
### Fully accessible strap path

No tools required. Simply raise the tabletop and lift guide for access to strap path.



### High joint efficiency

The HBX-4330 Large Frame strapping machine can utilize either Contrax® polypropylene or Tenax® polyester strapping. Both provide high retained tension and joint efficiency to maximize package performance.



### Options:

#### Automatic cut-off and refeed

Signode's patented automatic cut-off and refeed feature automatically ejects misfed strap, rethreads itself and continues strapping without operator intervention.

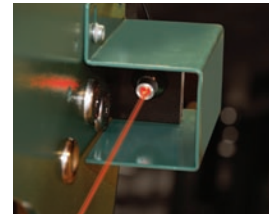
#### Adjustable package guides

Ideal for oversized applications, adjustable package guides help keep boxes square during strapping.



#### Strap alignment laser

For applications where strap placement must be precise, a laser beam indicates the exact location of strap placement prior to strapping.



### HBX-4330 Large Frame specifications

**Cycle rate:** Up to 50 straps per minute. Actual production will vary depending on package size, chute size and operator dexterity.

**Maximum package weight:** 100 lbs on machine or conveyor

**Maximum applied tension:** Up to 250 lbs (1110 N)

**Strapping:** 9 mm or 12 mm Contrax® polypropylene or Tenax® polyester strapping

**Electrical requirements:**

120 volt, 60Hz, FLA 7 amp; 3 phase voltage optional

**Shipping weight:** 1,100 lbs

### HBX-4330 Large Frame options

- Automatic cut-off and refeed
- Adjustable package guides
- Strap alignment laser
- Floor lock kit
- Footswitch
- Indicator light to alert operator to low strap/out-of-strap conditions and machine malfunction
- Conveyor interlock kit
- Compression – For 65x20 only

### HBX-4330 Large Frame chute dimensions

	inches	mm	inches	mm
A	65	1650	90	2285
B	20	510	15	380
C	78	1980	107.5	2730

**SIGNODE®**

3610 West Lake Avenue  
Glenview, Illinois 60026  
1-800-323-2464  
www.signode.com